



Meeting

2014.11

Z series

open impeller centrifugal pumps
and

**New Vacuum prime
pumps range**

High efficiency pumps: up to **73%**

Open impeller allowing the passage of solids of large diameter

High resistance to abrasive liquids: turbid, muddy, sandy waters with solids in suspension

Easy maintenance: removable front cover for direct access to the impeller and eventual unclogging. Easily replaceable wear plate



New components

Discharge flange
screwed on casing

Pump cover with
suction flange



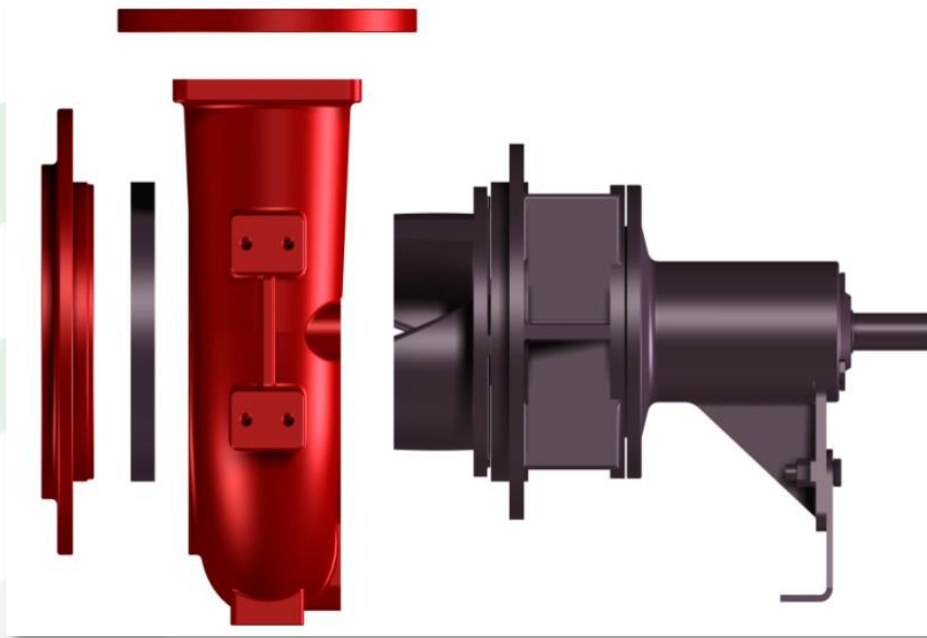
New pump casing
for higher efficiency



Standard components



Front wear plate
J standard

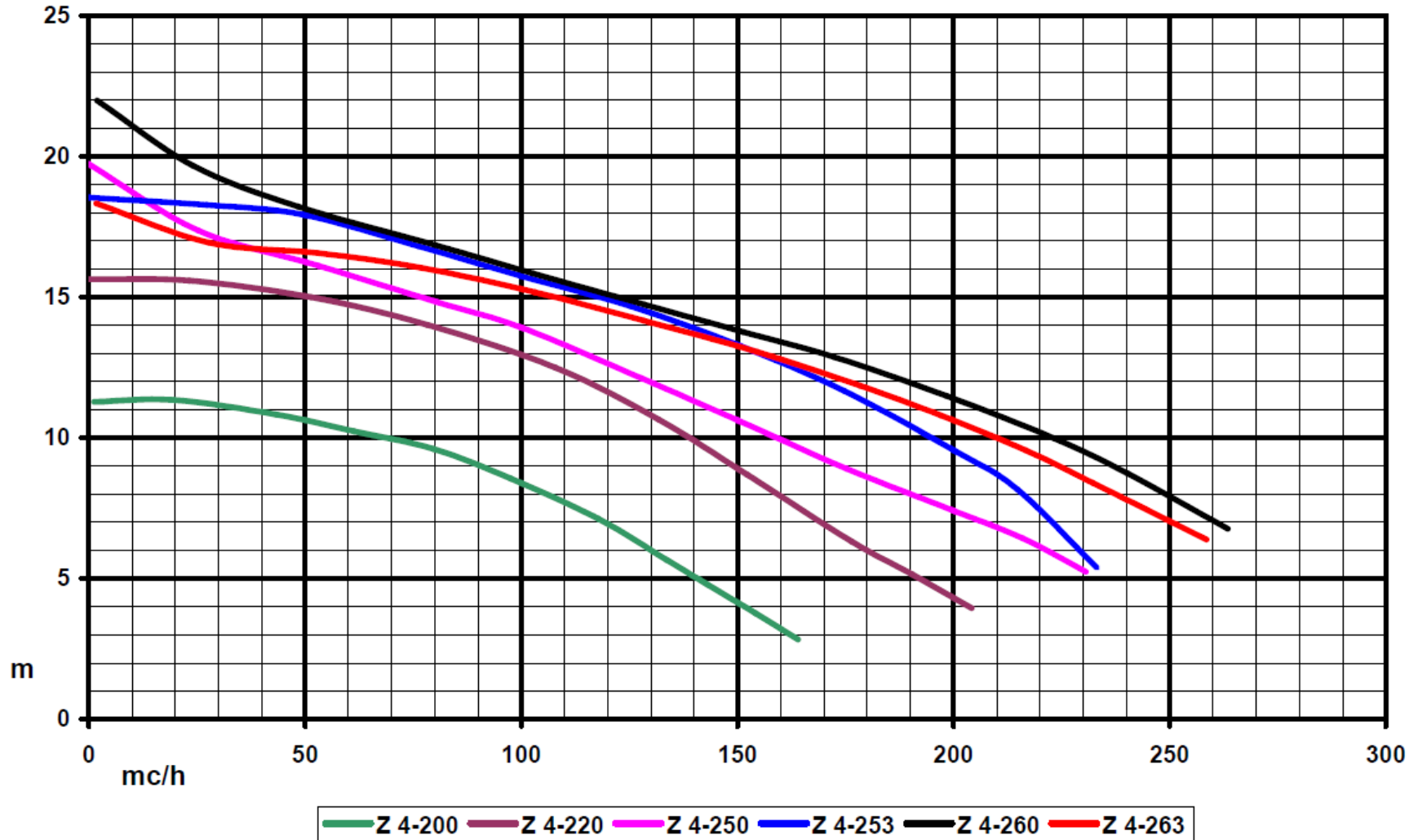


Support + impeller
J standard

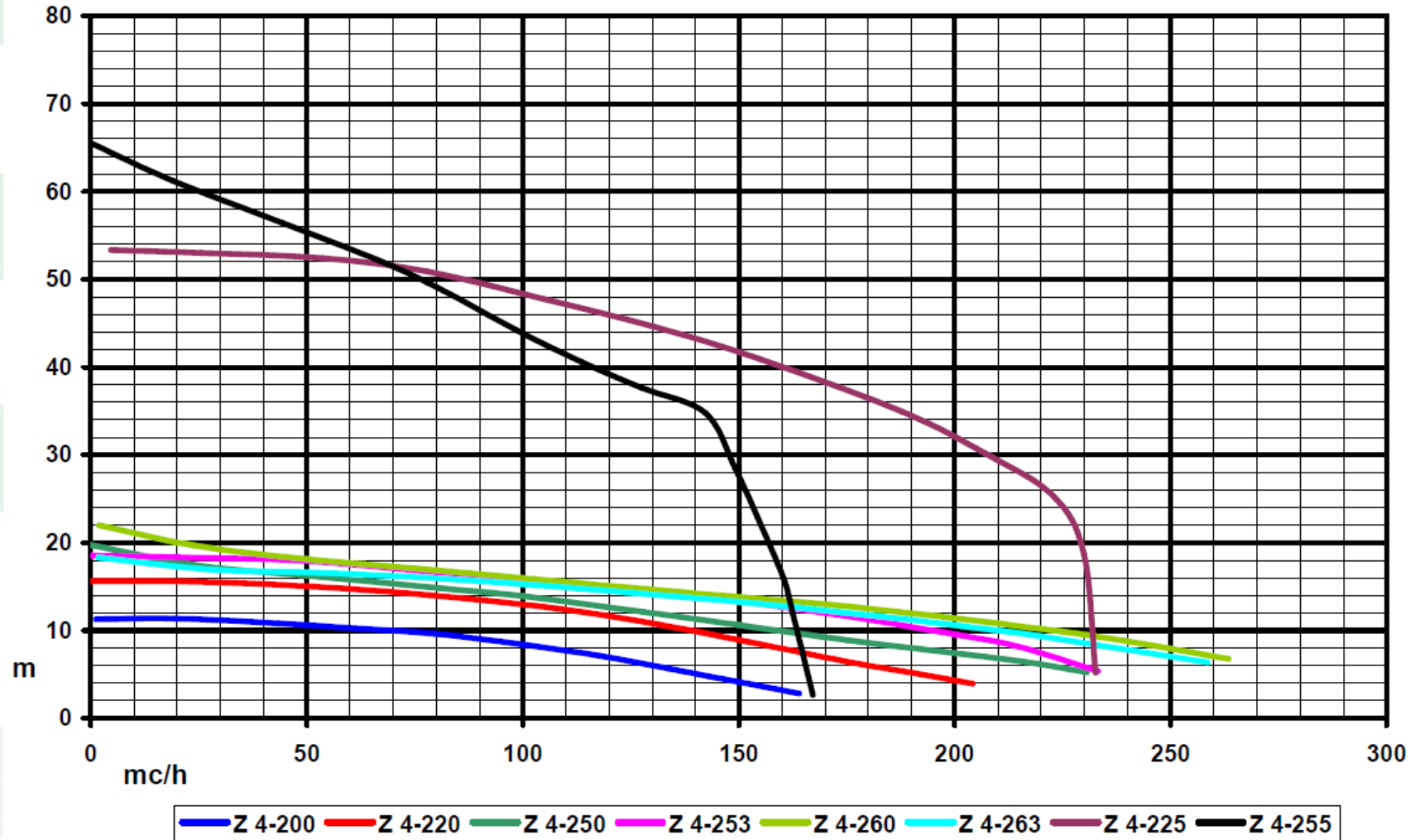


Model	Ports		Solids	Speed
	[mm]	[in]	[mm]	[rpm]
Z 4-200	100	4"	40	1450/1750
Z 4-220			40	
Z 4-250			50	
Z 4-260			76	
Z 4-225	100	4"	35	2900
Z 4-255			20	
Z 6-240	150	6"	50	1450/1750
Z 6-250			76	
Z 6-253			45	

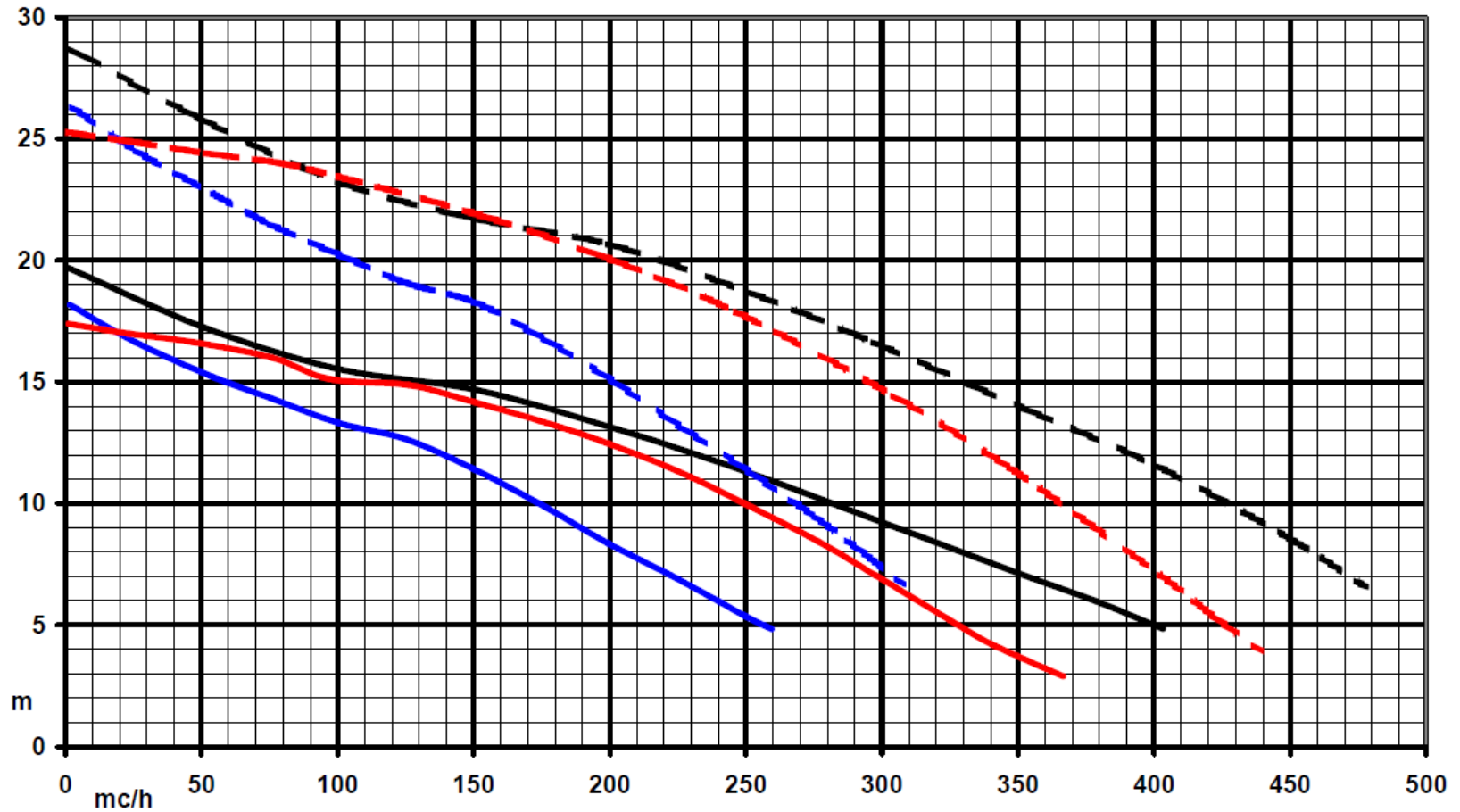
PUMP Z 4" a 1450 rpm



PUMP Z 4" 2-4 POLES 50Hz



PUMP Z 6" - 1450 / 1750 rpm



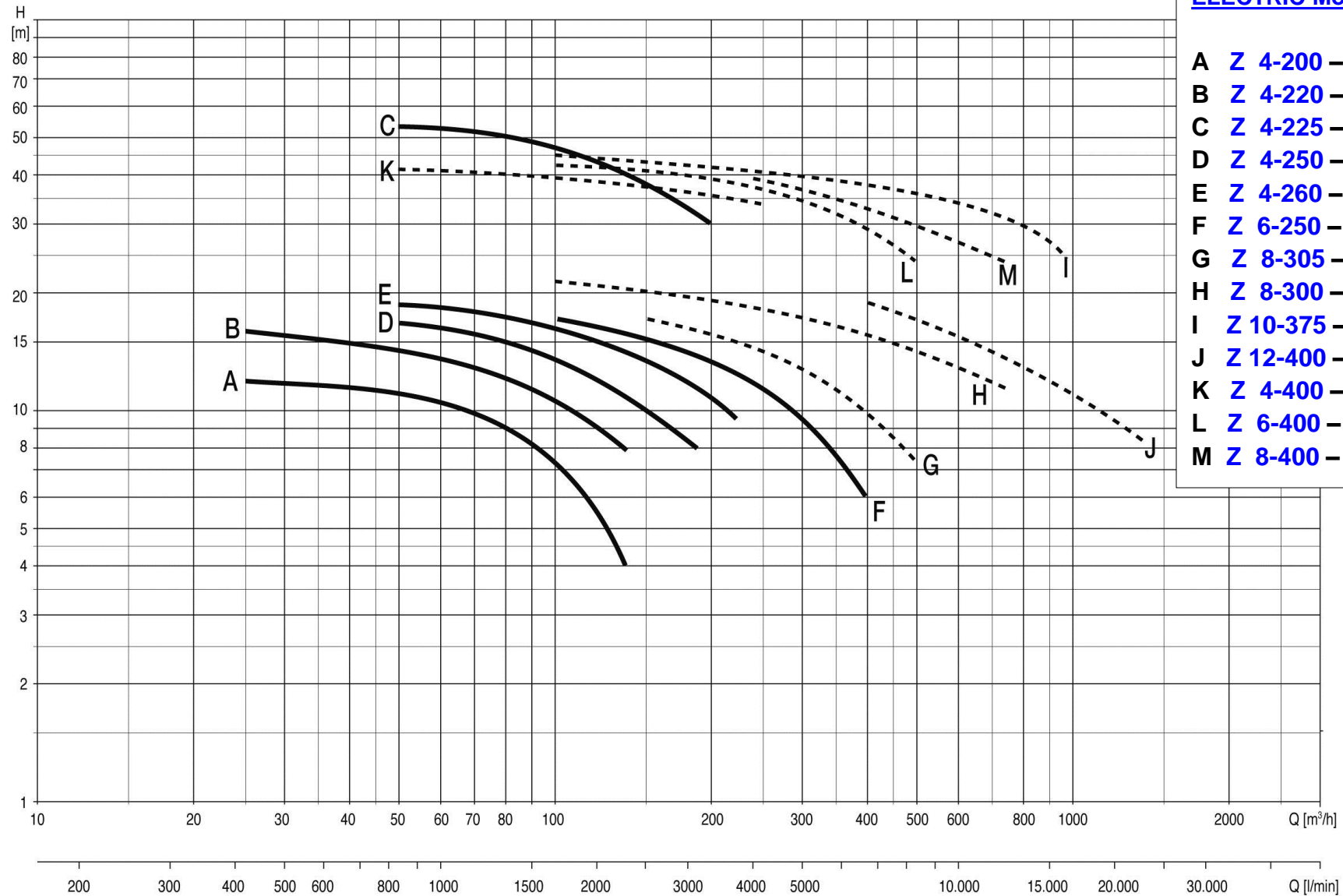
— Z 6-240 (1450) — Z 6-250 (1450) — Z 6-253 (1450) - - Z 6-240 (1750) - - Z 6-250 (1750) - - Z 6-253 (1750)

January 2015

Model	Ports		Solids	Speed
	[mm]	[in]	[mm]	[rpm]
Z 8-300	200	8"	76	1450/1800
Z 8-305			76	
Z 10-305	250	10"	76	1450/1800
Z 10-400			50	975/1300

April 2015

Model	Ports		Solids	Speed
	[mm]	[in]		
Z 4-400	100	4"	50	1450/2400
Z 6-400	150	6"	50	1450/1800
Z 8-400	200	8"	50	1450/1800
Z 12-400	300	12"	70	975/1200

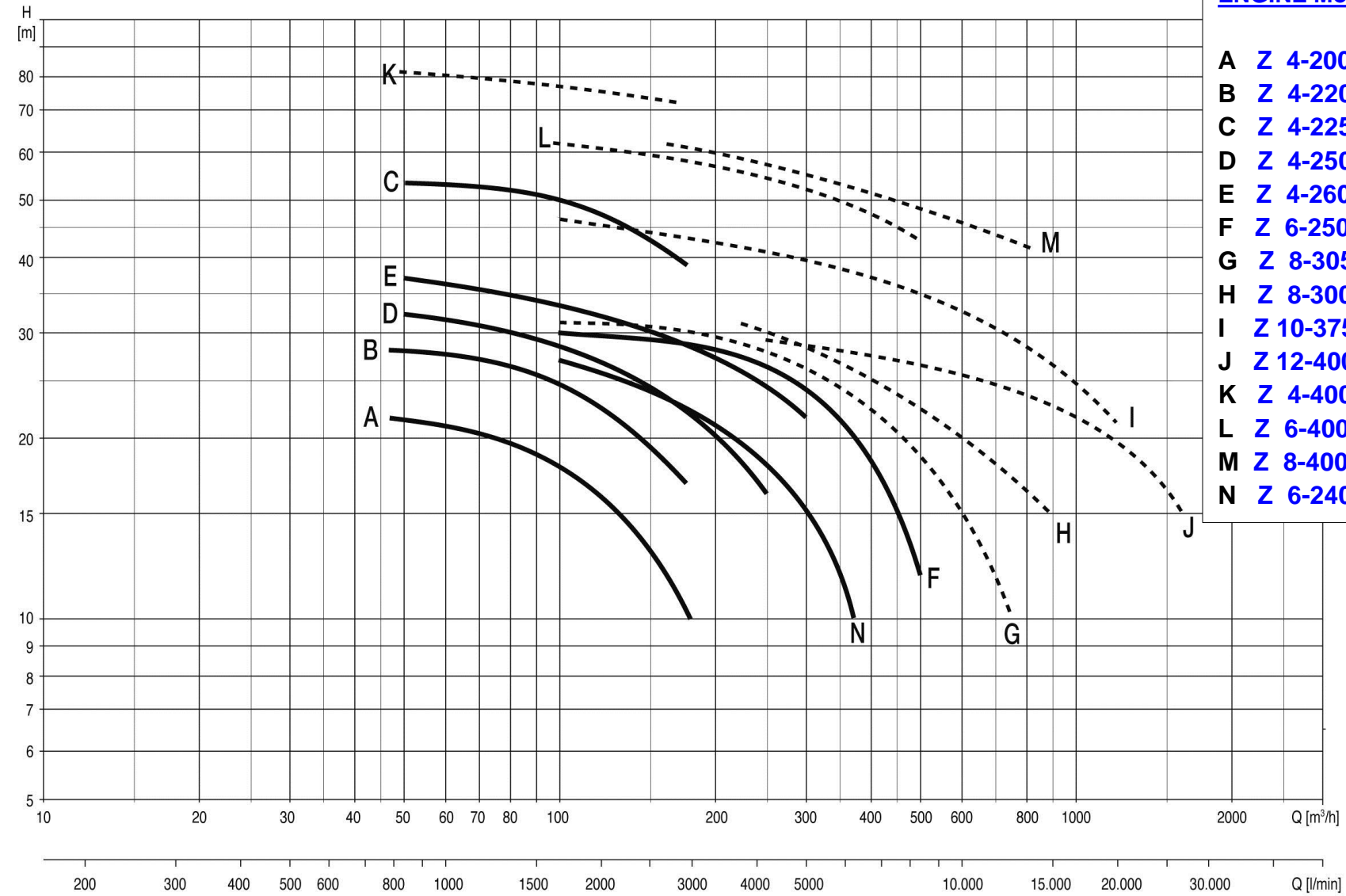


ELECTRIC Model - RPM

- A** Z 4-200 – 1450RPM
- B** Z 4-220 – 1450RPM
- C** Z 4-225 – 2900RPM
- D** Z 4-250 – 1450RPM
- E** Z 4-260 – 1450RPM
- F** Z 6-250 – 1450RPM
- G** Z 8-305 – 1450RPM
- H** Z 8-300 – 1450RPM
- I** Z 10-375 – 1450RPM
- J** Z 12-400 – 975RPM
- K** Z 4-400 – 1450RPM
- L** Z 6-400 – 1450RPM
- M** Z 8-400 – 1450RPM

ENGINE Model - RPM

- A Z 4-200 – 2000RPM
- B Z 4-220 – 2000RPM
- C Z 4-225 – 3000RPM
- D Z 4-250 – 2000RPM
- E Z 4-260 – 2000RPM
- F Z 6-250 – 2000RPM
- G Z 8-305 – 1800RPM
- H Z 8-300 – 1800RPM
- I Z 10-375 – 1500RPM
- J Z 12-400 – 1200RPM
- K Z 4-400 – 2400RPM
- L Z 6-400 – 1800RPM
- M Z 8-400 – 1800RPM
- N Z 6-240 – 2000RPM



Heavy duty casing in EN GJL 250 cast iron



Open impeller with solids handling
up to **3"** (76 mm)

Available materials:

- **ductile iron**
- **marine bronze**
- **stainless steel**



Easy replaceable **wear plate(s)**

Available materials:

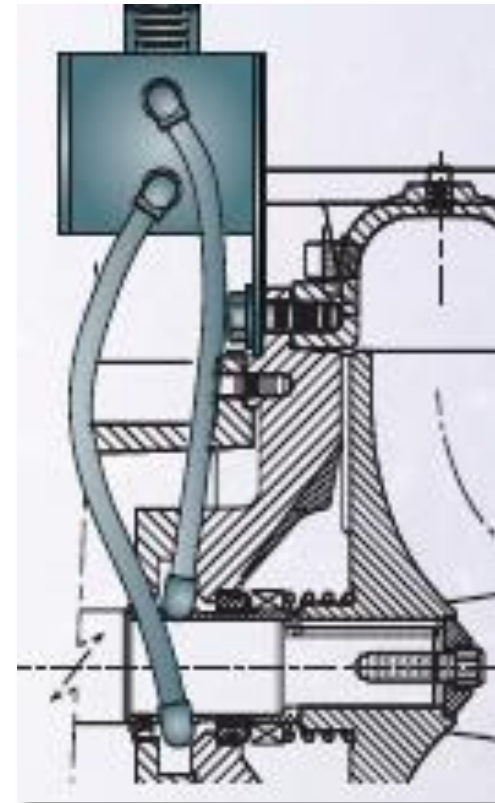
- **abrasion resistant rubber faced cast iron**
- **marine bronze**
- **stainless steel**



G20	cast iron	elastomers in PTFE
P10	cast iron, elastomers in VITON®	silicon carbide mechanical seal
P30		graphite/silicon carbide mechanical seal
Q10	impeller and wear plates in bronze, shaft in stainless steel	elastomers in VITON®
F10	impeller, wear plates and shaft in stainless steel	elastomers in VITON®
F20		elastomers in PTFE
D11	casing, impeller, wear plates, head in hard cast iron - 400 HB	elastomers in NBR

Oil lubricated mechanical seal

Optimal cooling and lubrication for a long time



Hinged cover

Cleaning and maintenance on site without the use of lifting equipment!

Standard for SUPER Z



Today

ECOMATIC



Simple



Duo



New design

Z + New chassis + New separator



Simplex ***new separator***

**PATENT
PENDING**



New high capacity air/water separator: 120 m³/h / 70.6 cfm

- **Fully mechanical patented system** that allows fast priming and is also suitable for wellpoint system
- **Automatic condensate recovery**
- Manual valve to restore atmospheric pressure and the emptying of suction line
- Suitable for operation in any condition (suction lift or flooded suction installation)
- Supplied as standard for

Ecomatic Z, Super J, Super Z, Muteline Z, Albatross Z

New design
Prototype



New name
SUPER



Today

ECOMATIC



Simple



Duo



97 Z

Ecomatic Z
Ecomatic J

ECOMATIC



100

Simple J

Simple



107 J

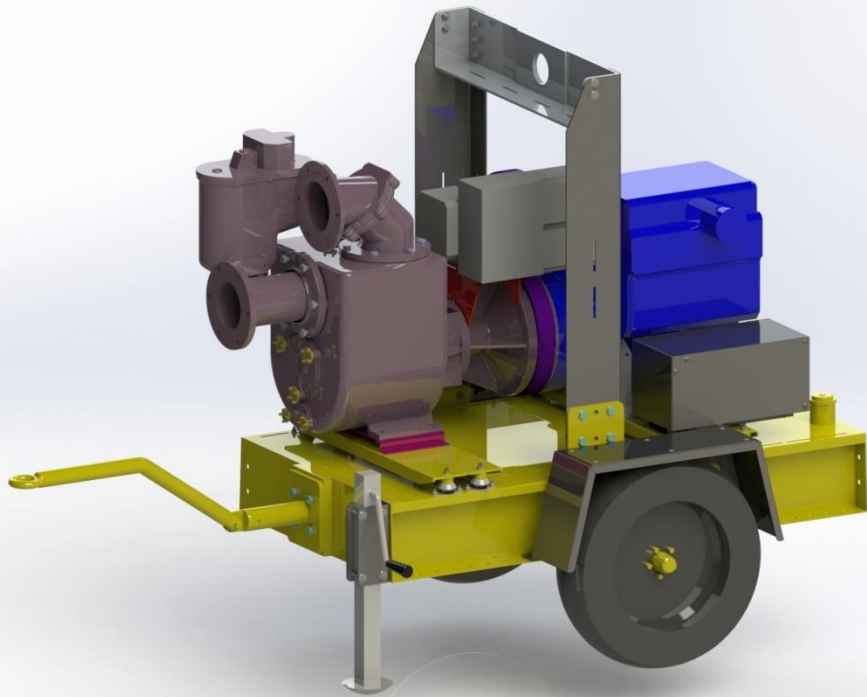
115 Z

Super Z
Super J

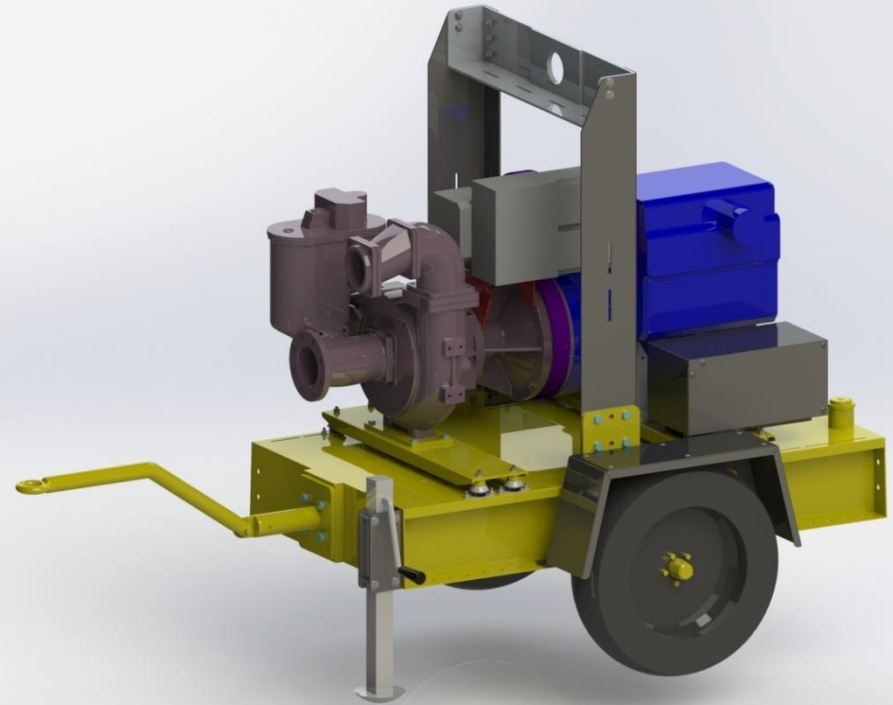
SUPER

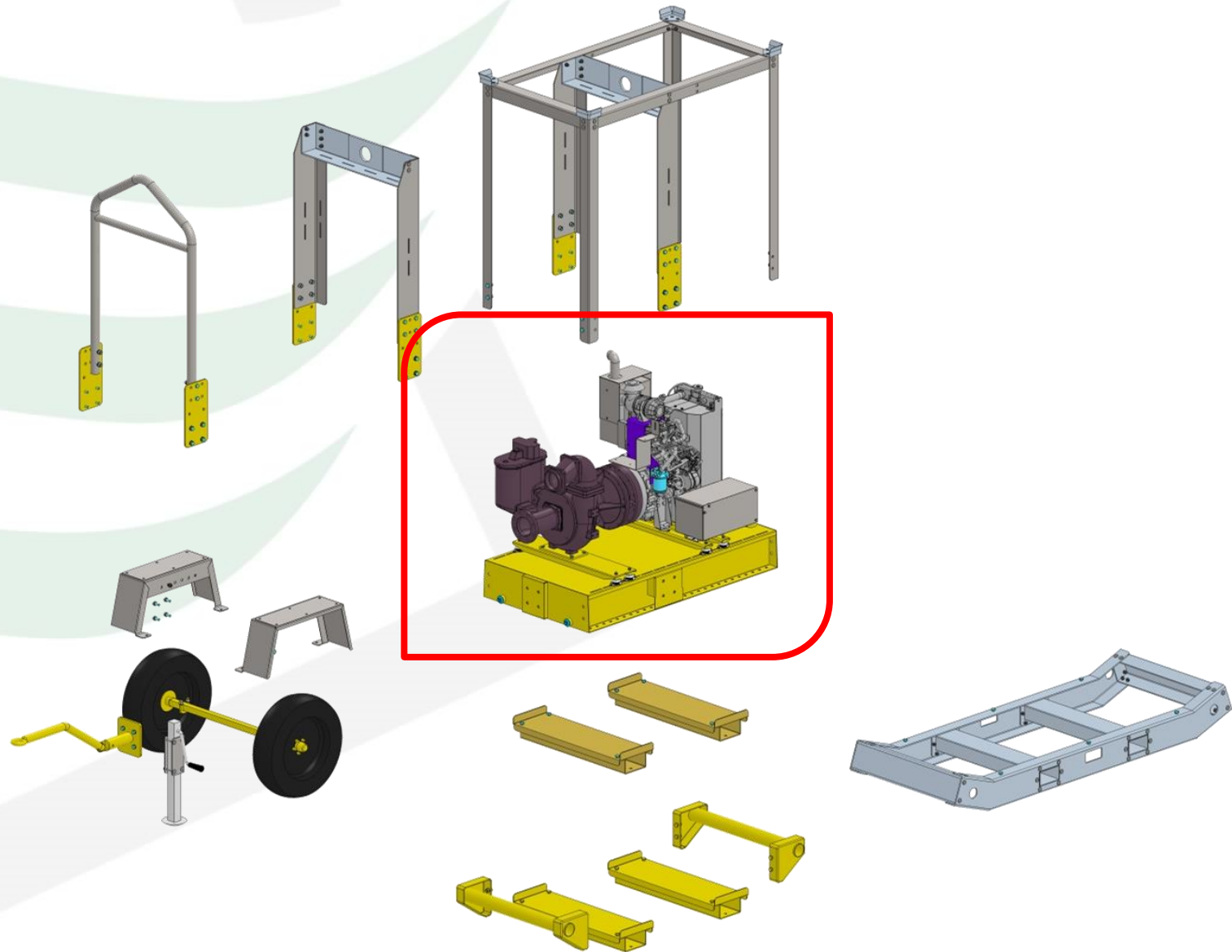


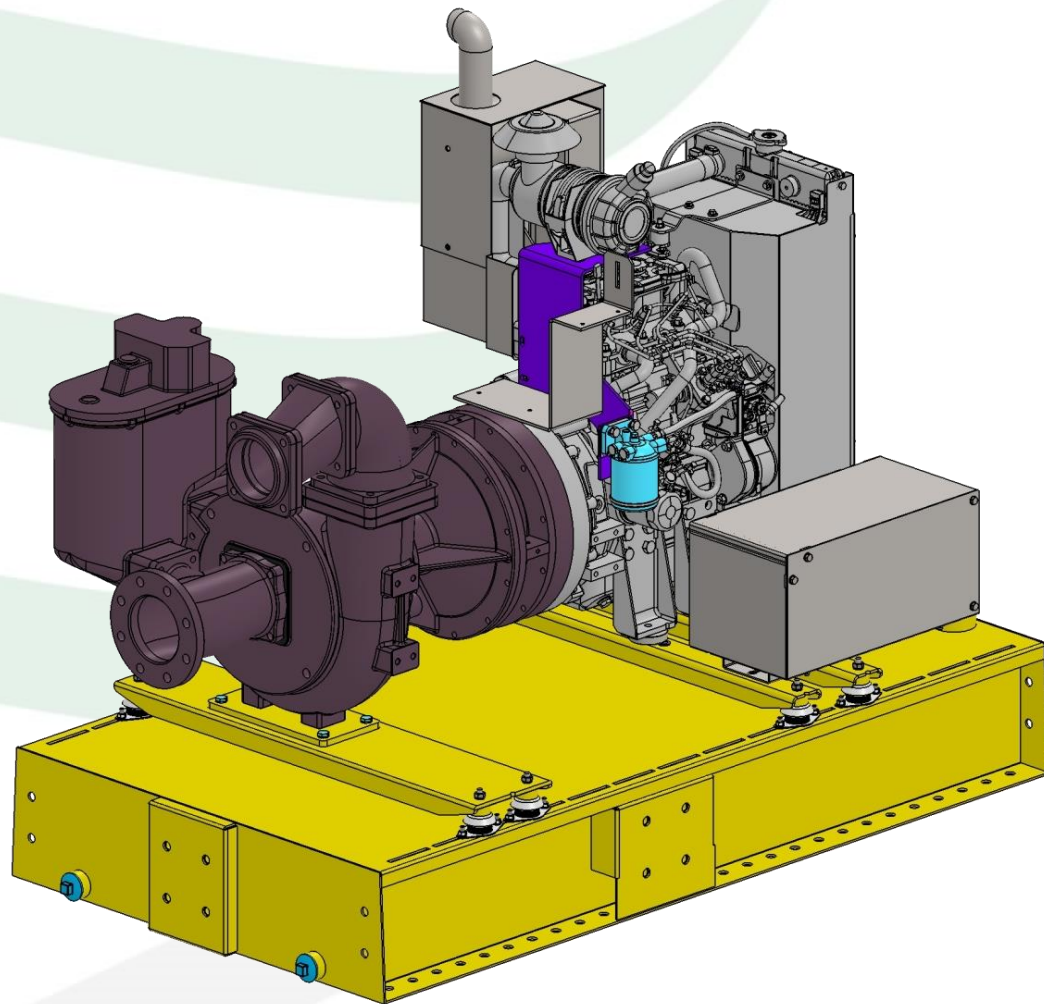
Super J



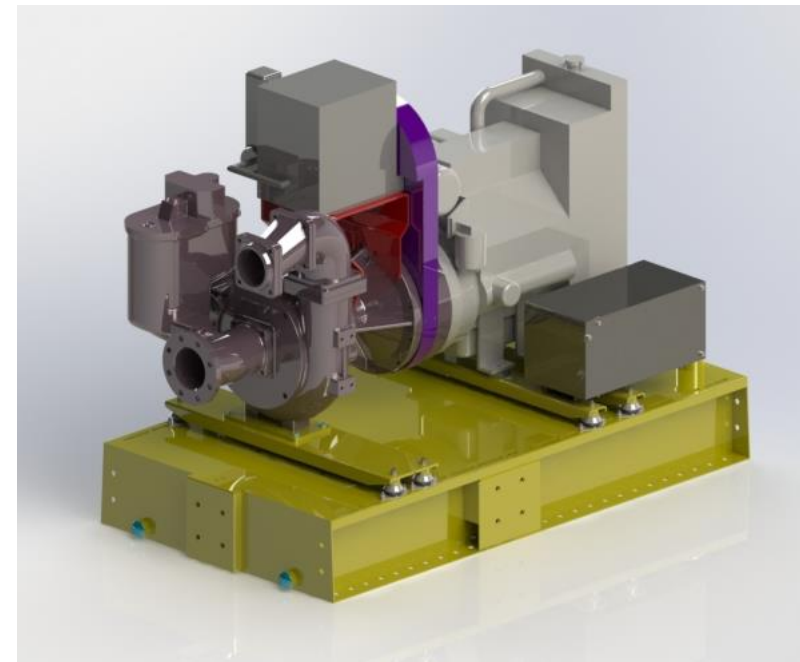
Super Z

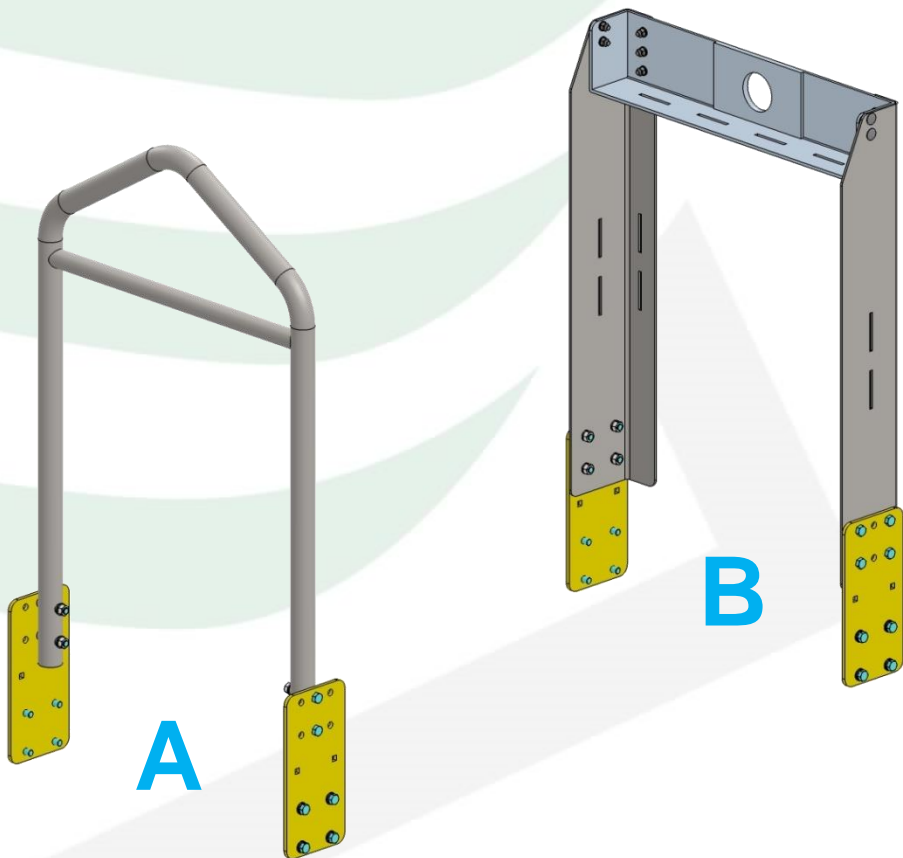






**SUPER
Base Module**

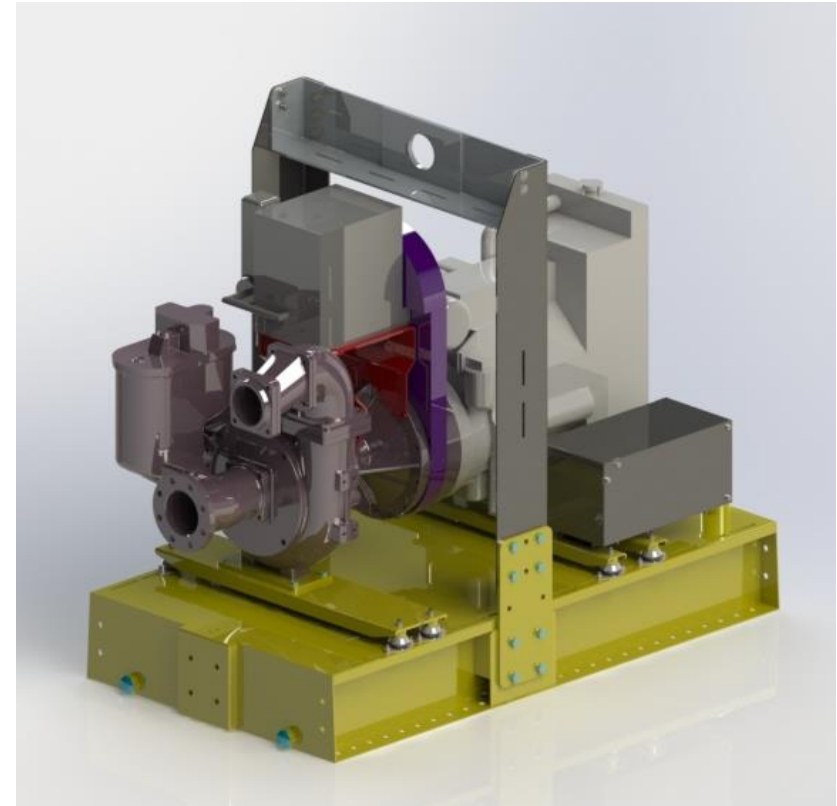
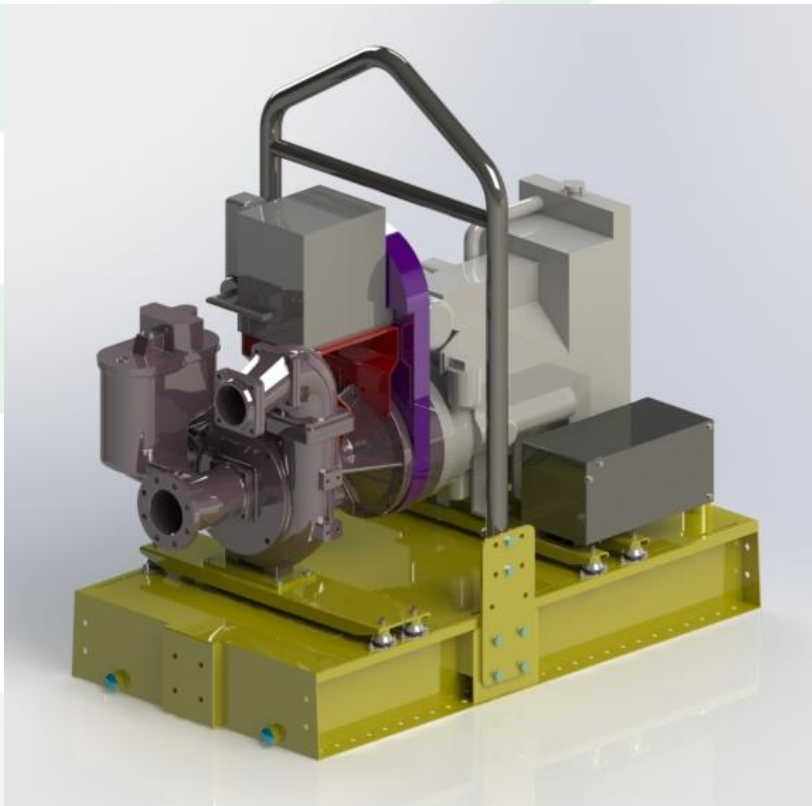




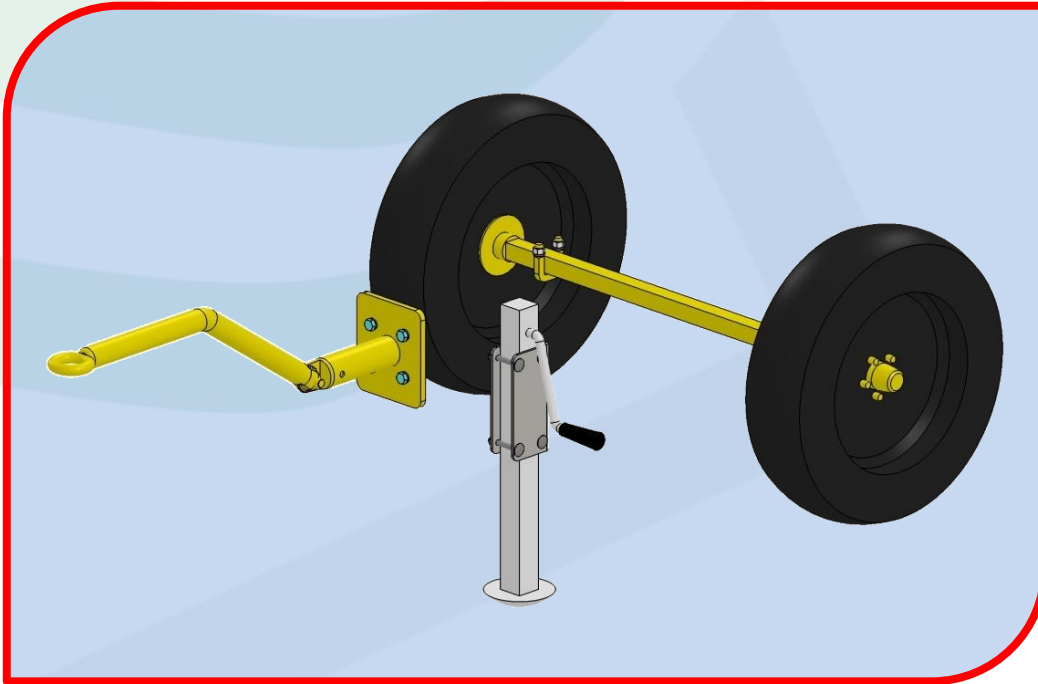
SUPER
KIT LIFTING BAR

SUPER

KIT LIFTING BAR

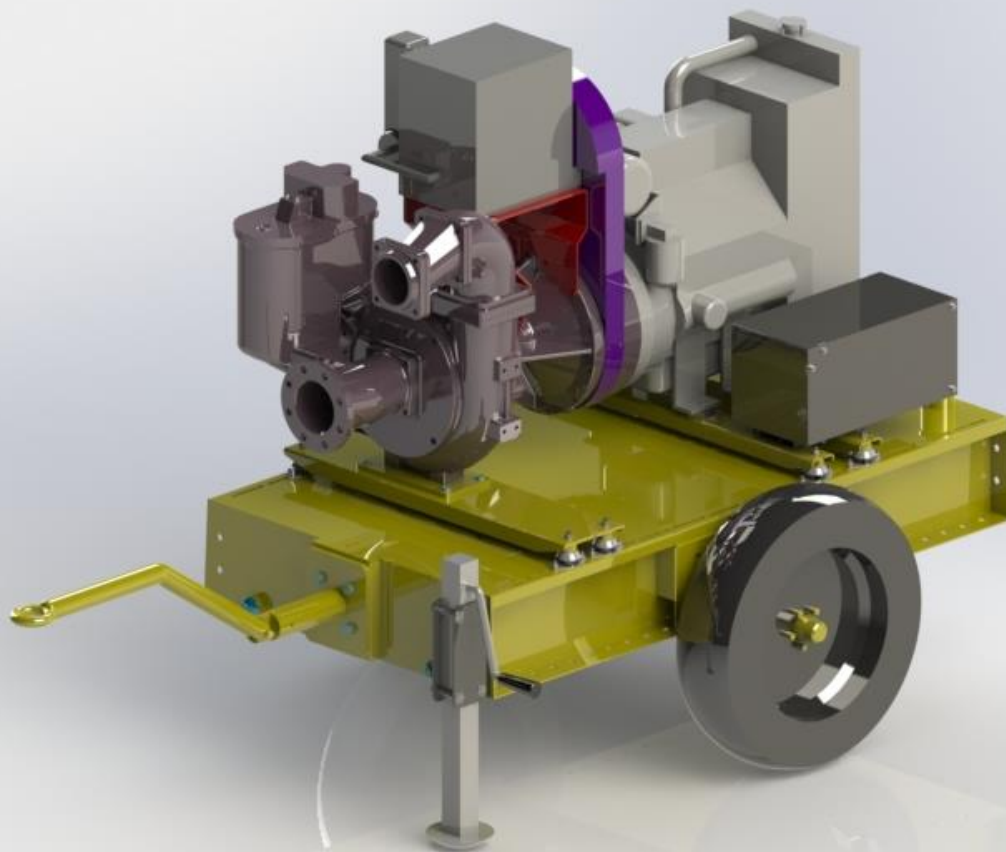


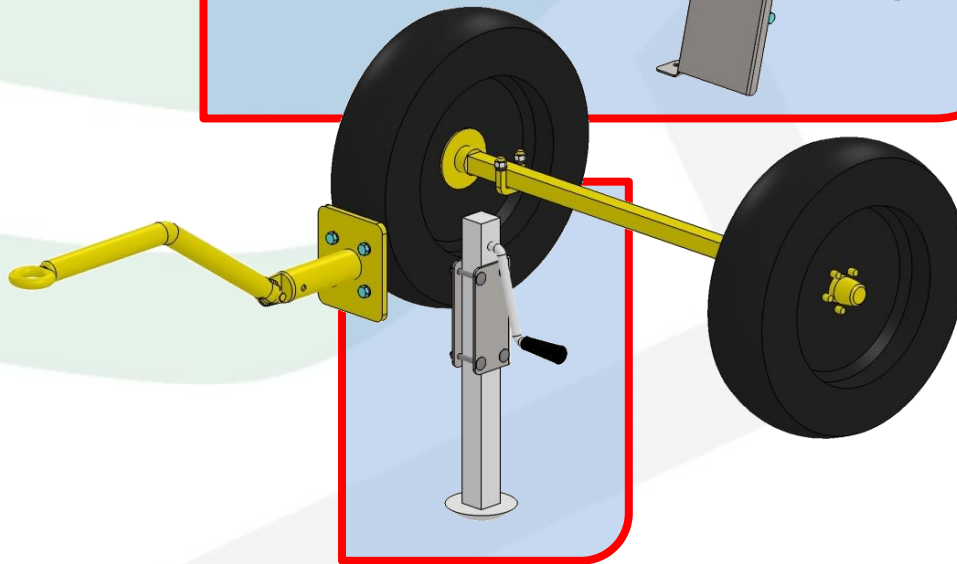
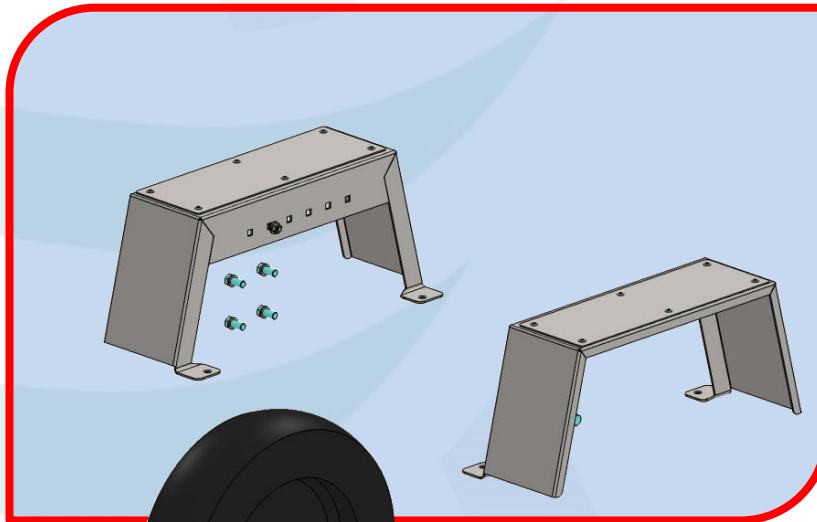
SUPER
KIT TRAILER



SUPER

KIT TRAILER



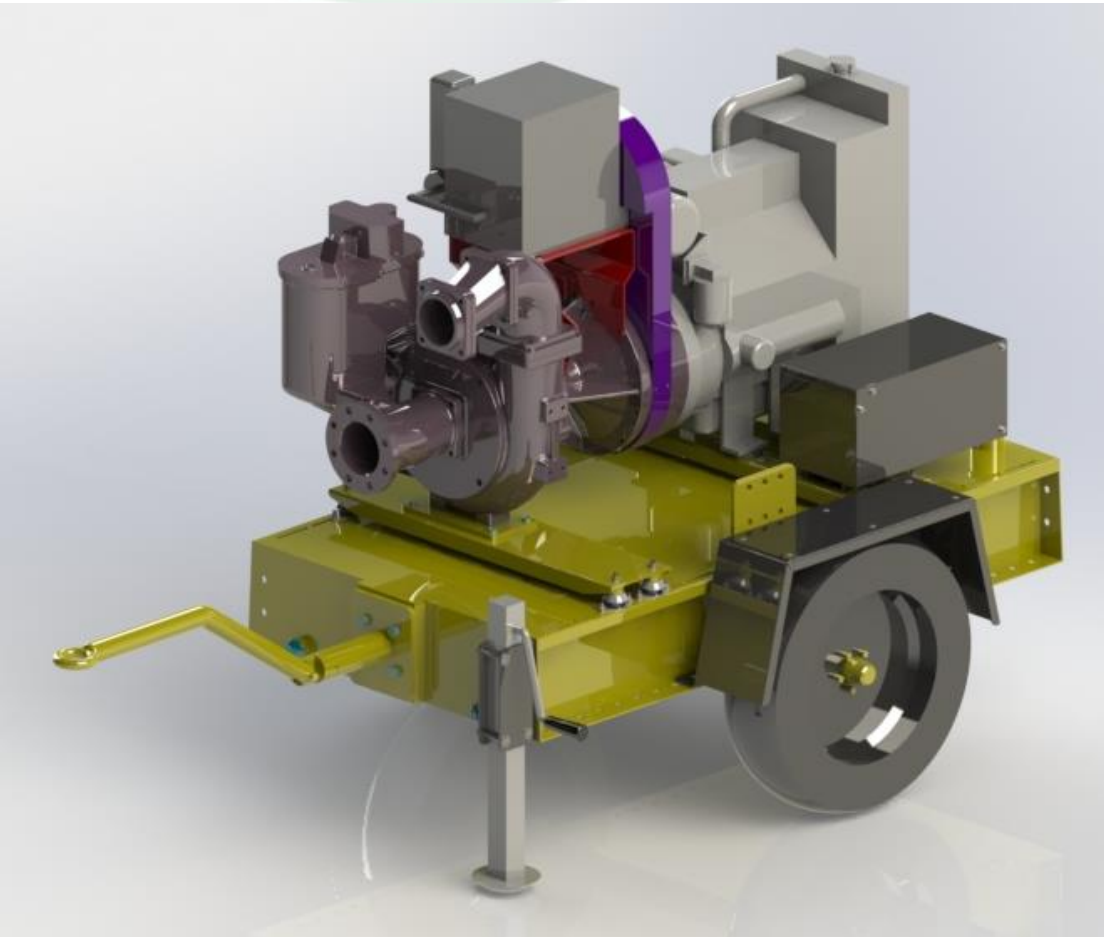


SUPER

KIT TRAILER

KIT MUDGUARDS

KIT FOOT



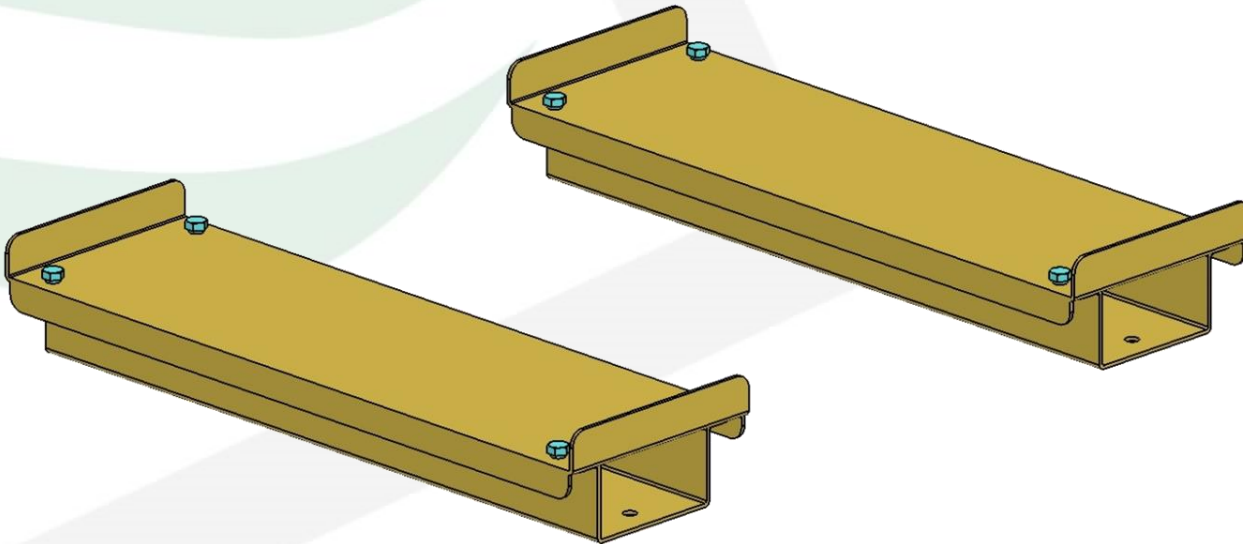
SUPER

KIT TRAILER

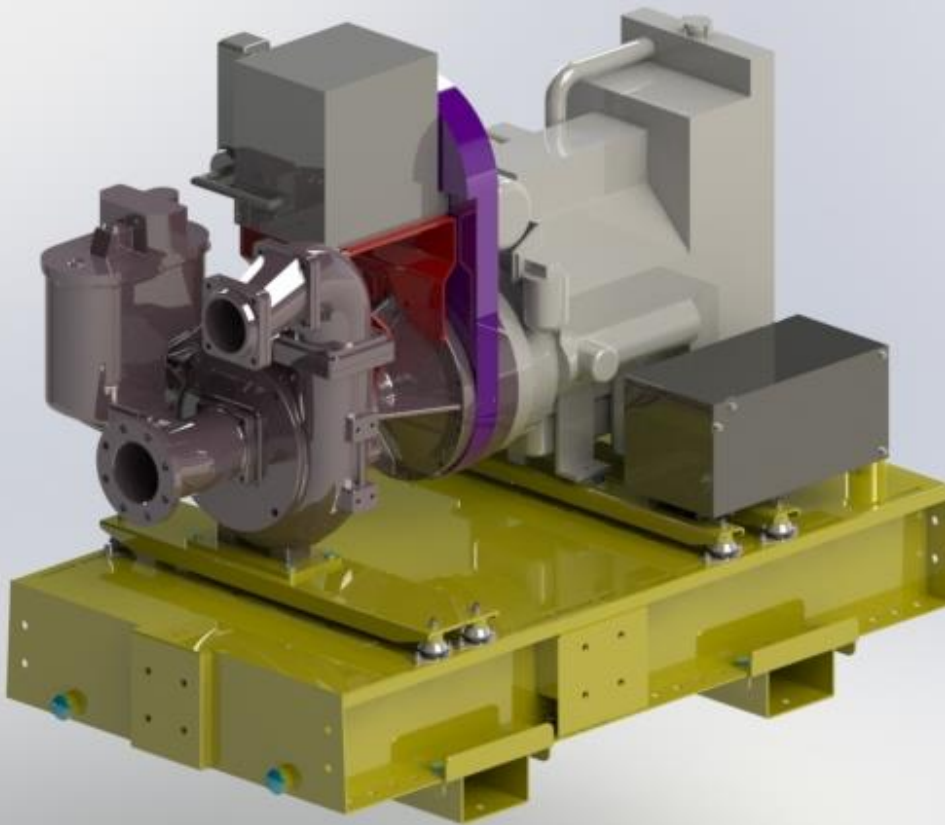
KIT MUDGUARDS

KIT FOOT

SUPER
KIT TANK

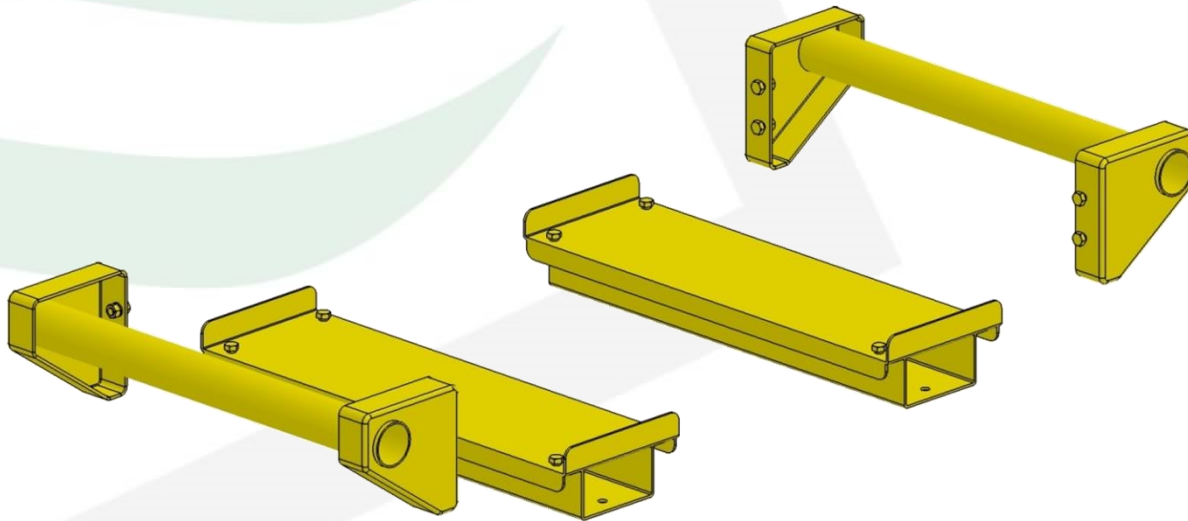


SUPER
KIT TANK



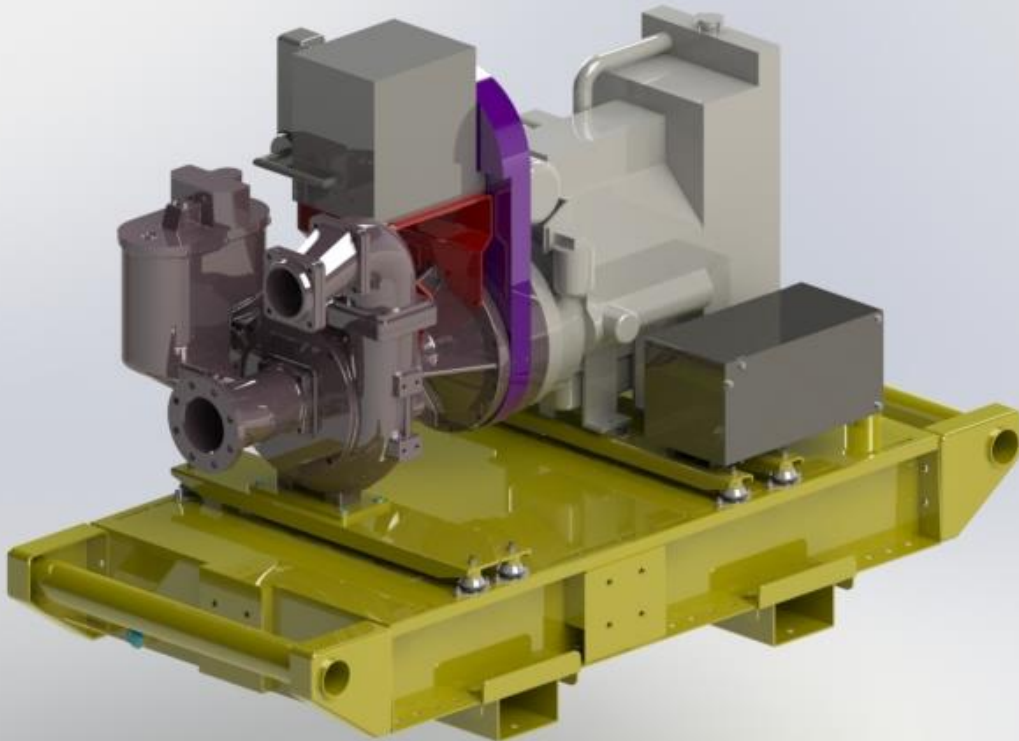
SUPER

KIT SKID-01



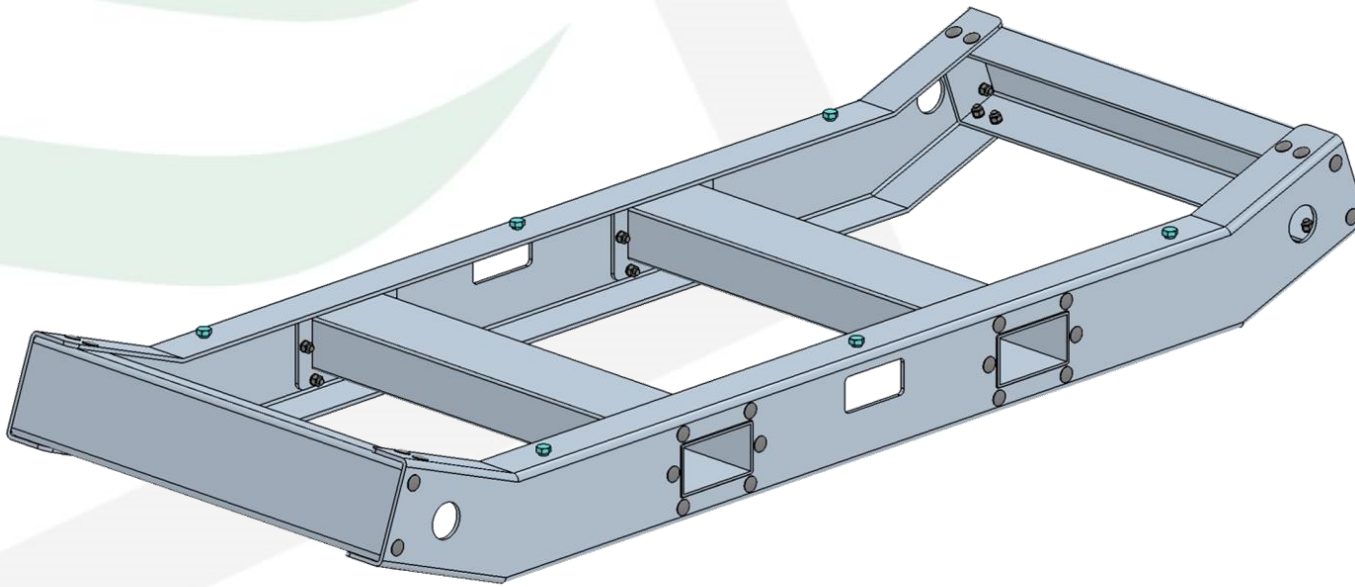
SUPER

KIT SKID-01



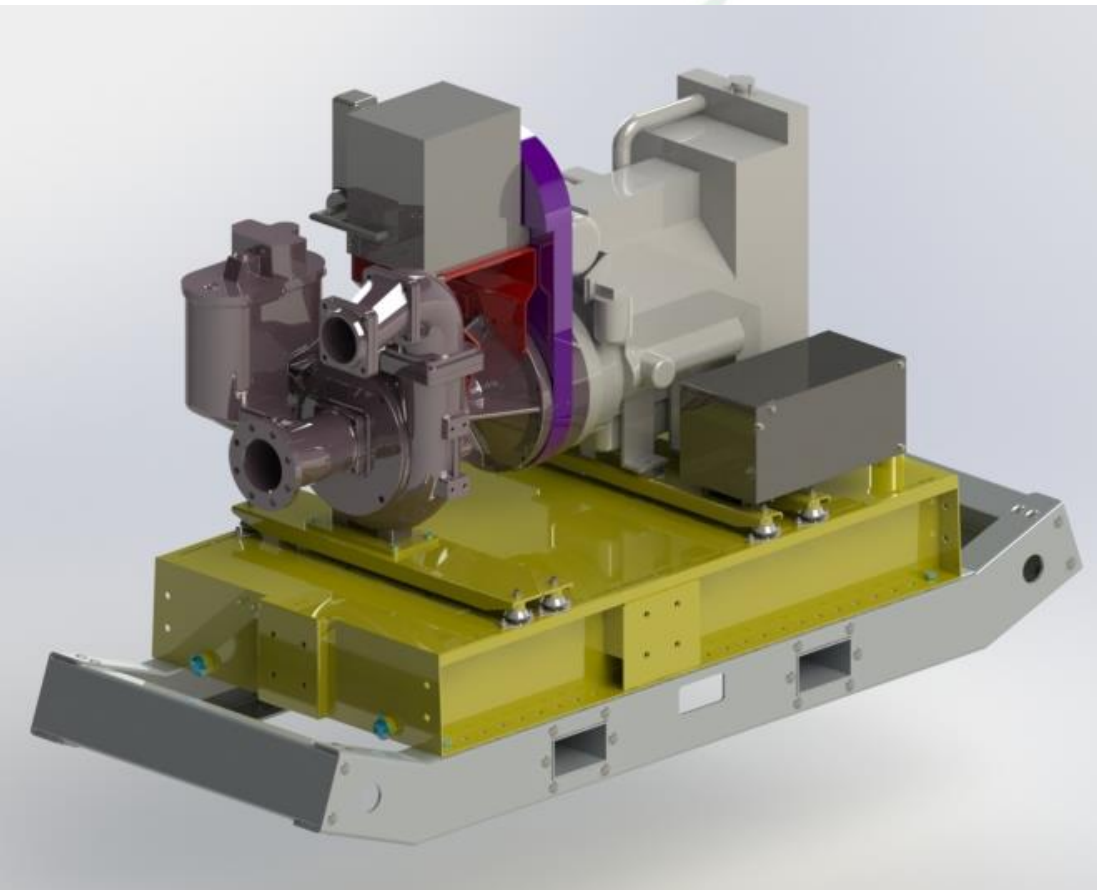
SUPER

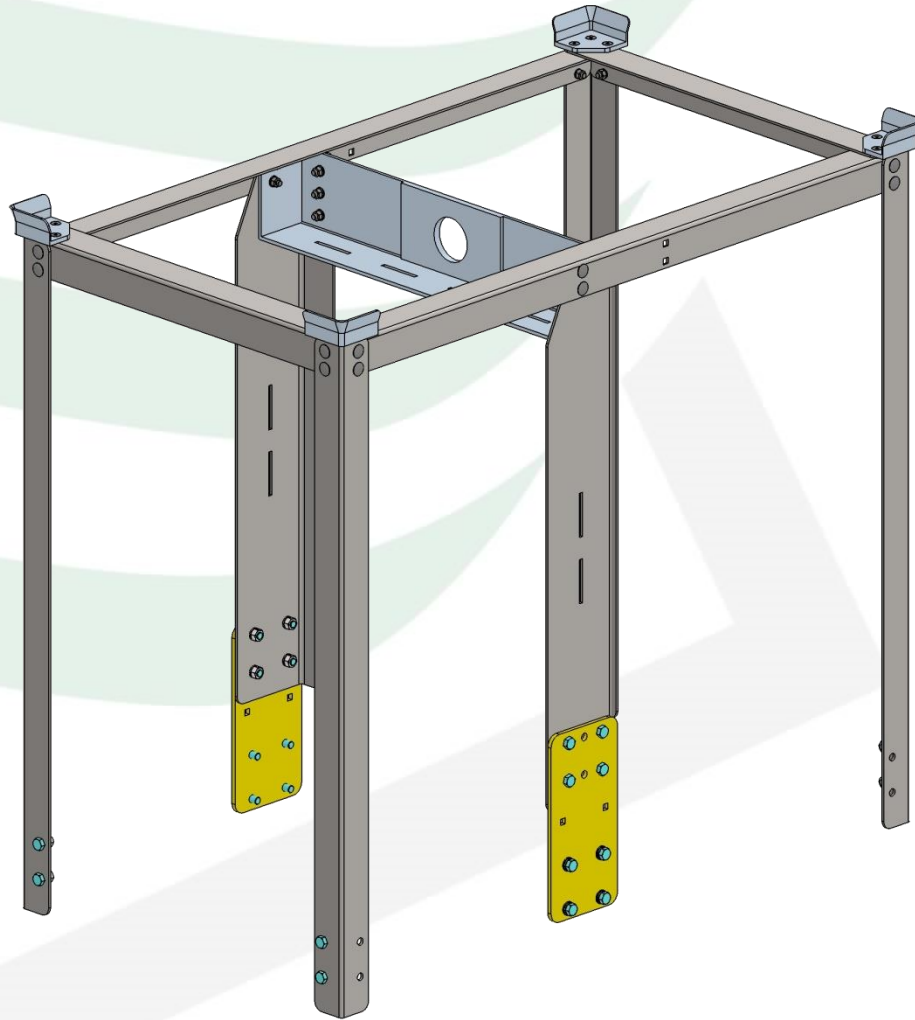
KIT SKID-02



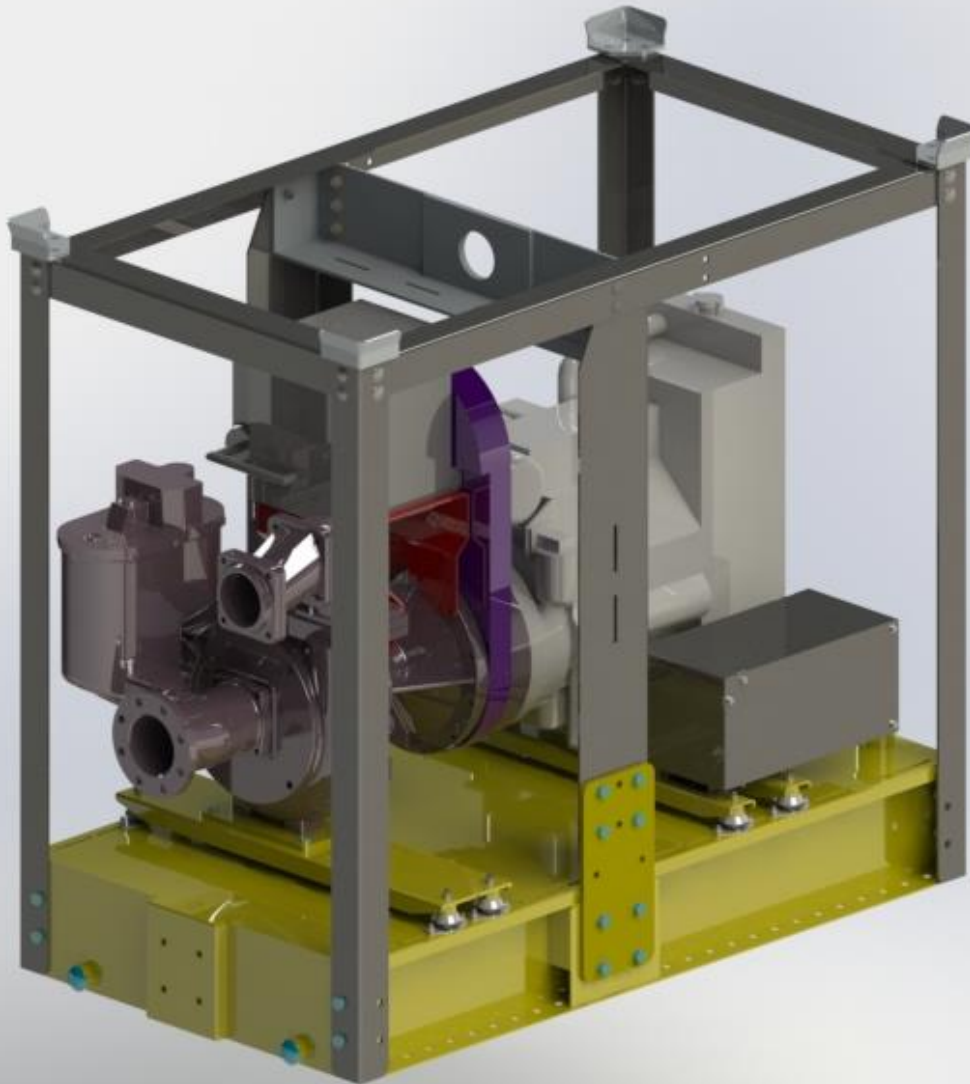
SUPER

KIT SKID-02





SUPER
KIT STACK



SUPER
KIT STACK

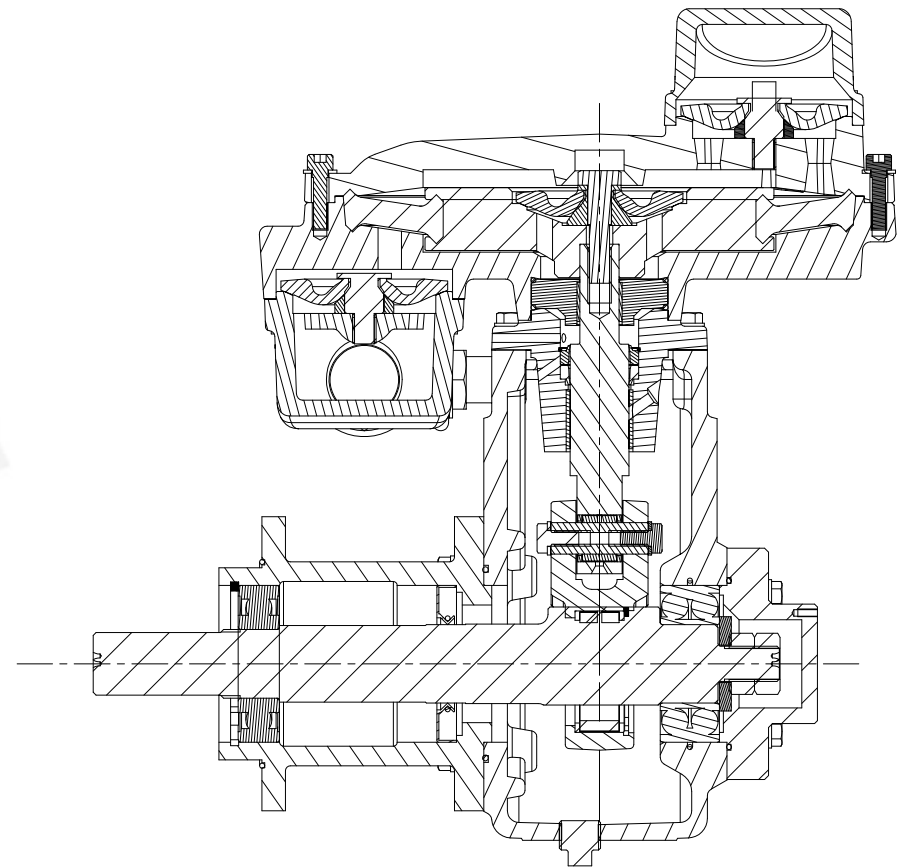
Oil lubricated Rotary vane

Description suffix: **_V04**



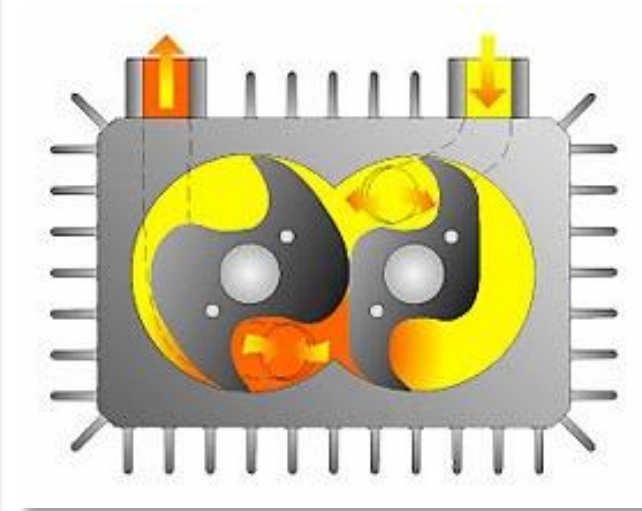
Oil free diaphragm

Description suffix: **_V20**



Oil free Rotary claw

Description suffix: **_V30**



SUPER



1. Simplex separator is faster in priming and re-priming time
2. Hinged Cover included as Standard
3. 300 Liters tank → "weekend autonomy" of 48 hrs
4. Visual fuel level gauge
5. Tank with locking cap
6. Lockable battery box
7. Pump-Engine set installed on vibration absorber

HEAVY DUTY VERSION

- ❑ Hot galvanized base frame
- ❑ Stackable
- ❑ Full access to pump & engine
- ❑ Higher noise reduction than muteline

Suitable for J & Z series model:

JD 4-250 , JD 6-250 , JD 8-300

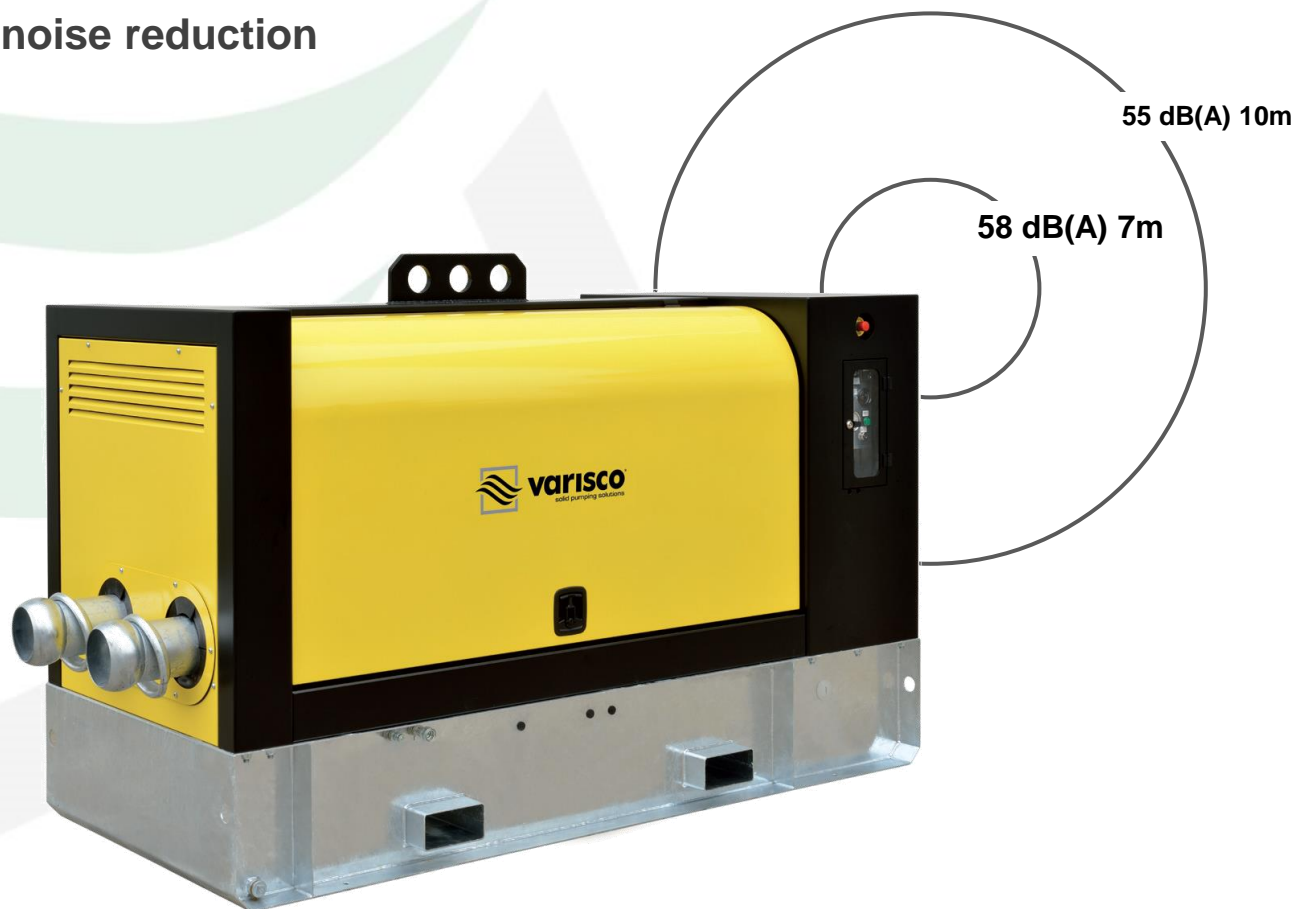
SIMPLE, ECOMATIC,

ZD 4-200, ZD 4-250, ZD 6-250



Improvements made

- Exhaust pipe vertical outlet
- Engine manufacturers approval
- Better noise reduction

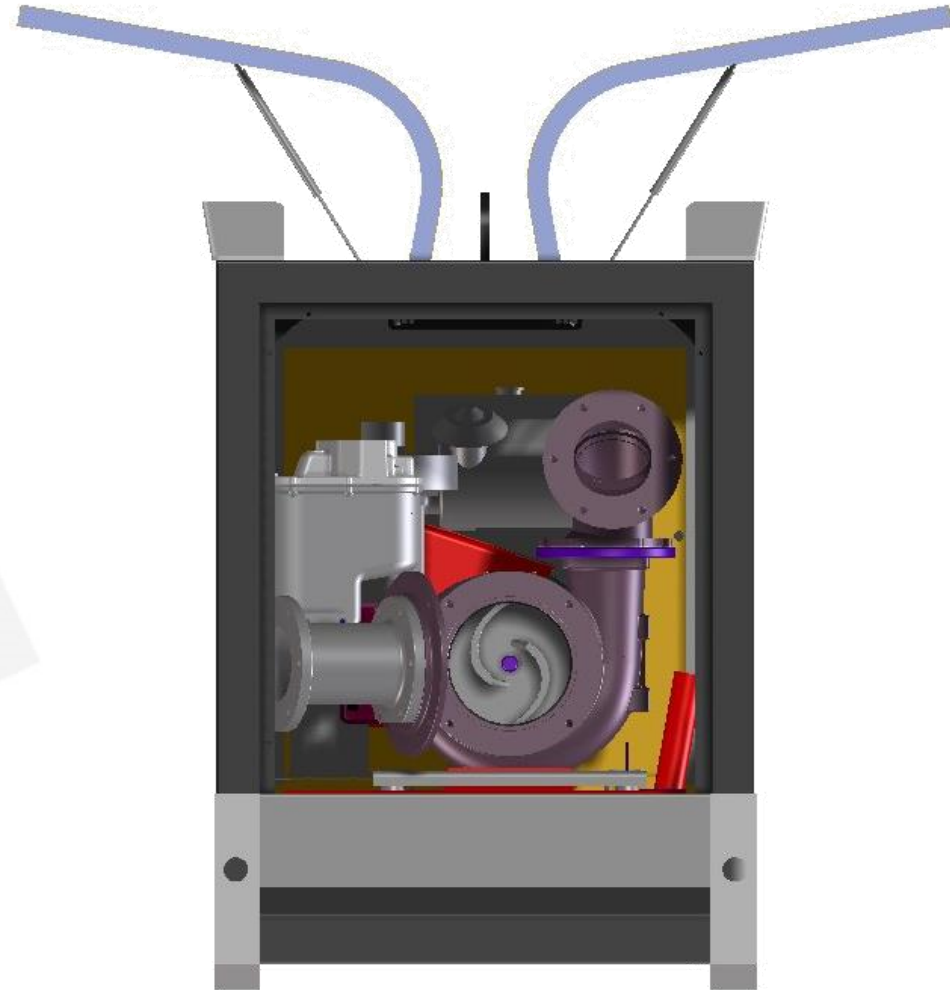


Improvements made

- Z hinged cover opens till 90°

Available now for sales :

[Delivery time like muteline](#)





Thank you