

SANIBOXER



SANITARY DIAPHRAGM PUMP for handling food and pharmaceutical fluids

3A Certified, made in stainless steel Aisi316 mechanically polished achieving a roughness $< 0,8\mu\text{m}$, **SANIBOXER** pump is designed for food, pharmaceutical and cosmetics sectors.

FIELDS OF APPLICATION

SANIBOXER diaphragm pneumatic pumps have been designed and manufactured for pumping liquids with apparent viscosity from 1 to 15.000 cps at 20°C (see installation type). They are made with materials compatible with fluids according to 3A certification and the chemical stuffs to be used for pump's cleaning and sterilization and the C.I.P. washing.

The pump's functioning is allowed with exercise temperature (fluid temperature + room temperature) compatible with pump components materials and never above 95°C.

Intake/delivery connections: **1"1/2 clamp** - flow rate **120 l/m**

contruction materials: **Aisi 316 mechanically polished**



SANIBOXER



STANDARD: II 3/3 GD c IIB T135°C (zona 2)
 CONDUCT: II 2/2 GD c IIB T135°C (zona 1)



SANITARY DIAPHRAGM PUMP for handling food and pharmaceutical fluids

SANIBOXER 100

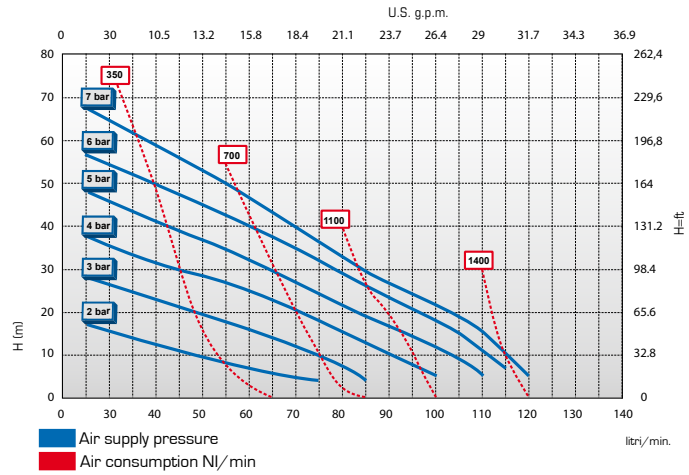
Construction materials:
 Mechanically polished Aisi316



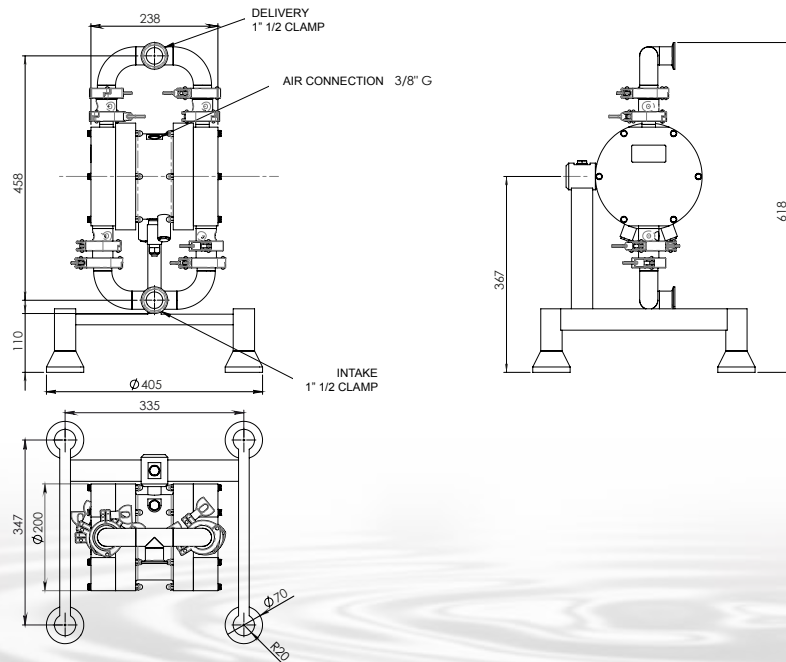
Intake/delivery connections	1"1/2 clamp
Air connection	3/8"
Max. air supply pressure	4 m
Max. flow rate (water at 18°C with immersed intake manifold)	120 l/m
Max. head	70 m
Max. air supply pressure	7 bar
Max. diameter of passing solids	4 mm

Weight Mechanically 26 Kg (zone 2) 95°C Temp. max
 polished Aisi316

TECHNICAL DATA



PERFORMANCE



The dimensions shown are in mm

DIMENSIONS